

## Low Cost STROBOSCOPE

**DT-721** (AC-Powered)

**DT-725** (Battery-Powered)

**40 – 12,500 RPM/FPM**  
and higher using harmonics

The CHECK·LINE® DT-721 and DT-725 Digital Stroboscopes are highly stable, industrial-quality instruments for non-contact RPM measurement as well as for inspection and observation of moving parts by “freezing” or “slowing down” the action.

A “Kit” option is offered for both models which also includes a carrying case and spare flash tube at minimal additional cost.



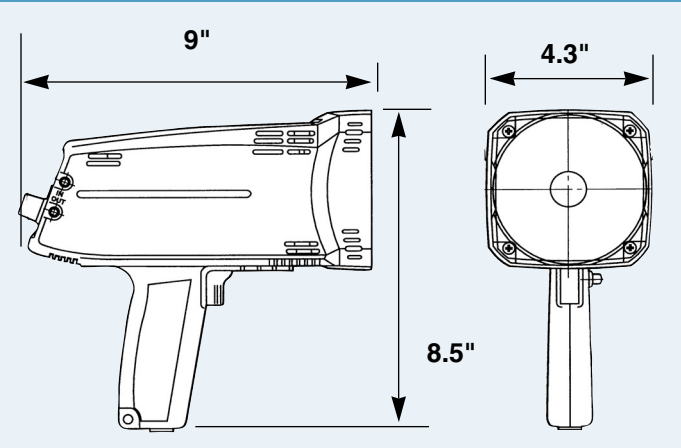
*Optional Complete Kit*

### FEATURES

- AC or battery-powered models
- Highly accurate speed control with drift-free operation
- Bright flash intensity with life of 100 million flashes
- Easy-to-use controls with bright LED display
- Instant *double* (2X) and *half-rate* ( $\div 2$ ) flash selection
- Accepts input from sensor for external flash triggering
- Phase shift adjustment permits movement of objects to desired position for convenient observation
- Extremely lightweight and rugged

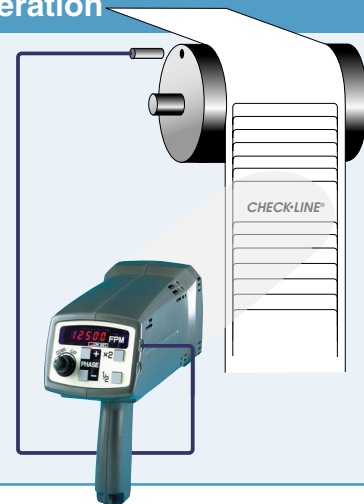
# DT-721/725

## Dimensions



## External Trigger Operation

Suitable for applications requiring external control of the flash rate using a sensor or other input device. An external power source may be required.



## Specifications

|                       |   |                              |   |
|-----------------------|---|------------------------------|---|
| <b>Flash Range</b>    | 40 – 12,500 FPM   | <b>Duty Cycle</b>            | Continuous                                    |
| <b>Accuracy</b>       | ± 0.02% of reading  | <b>Battery Life</b>          | 1 hour (Model 725 only)                       |
| <b>Resolution</b>     | (0.1) 40.0 – 4,999.9<br>(0.2) 5,000.0 – 7,999.8<br>(0.5) 8,000.0 – 9,999.5<br>(1.0) 10,000.0 – 12,500.0 | <b>Re-charging Time</b>      | 12 hours (4 hours with optional Fast Charger) |
| <b>Display</b>        | 5-Digit LED, 8 mm high  | <b>Low Battery Indicator</b> | Model 725 only                                |
| <b>Flash Tube</b>     | Xenon, 10 watt  | <b>Operating Temperature</b> | 32 to 105 °F (0 to 40 °C)                     |
| <b>Tube Life</b>      | 100 million flashes   | <b>Weight</b>                |   |
| <b>Flash Duration</b> | 10 – 15 µs  | ... Model 721                | 1.50 lbs. (680 g)                             |
| <b>Signal Output</b>  | NPN Open Collector, 24 VDC max. at 50 mA (150 µs typical)   | ... Model 725                | 2.75 lbs. (1.25 Kg)                           |
| <b>Phase Shift</b>    | 0 – 359° (Internal Mode)  | <b>Power Requirements</b>    |   |
|                       |   | ... Model 721                | 115 VAC ± 10%, 50/60 Hz                       |
|                       |   | ... Model 725                | Internal Battery (Lead Acid Rechargeable)     |

*Specifications subject to change without notice.*

## External Trigger Input Signal

- 12 – 24 VDC thru a 3-wire NPN sensor (requires external power supply)
- 12 VDC thru a 2-wire proximity sensor (Leakage Current 1 mA max. Load current 8 mA min.)
- Switch or Relay Contact

## Ordering Guide

|  |            |  |              |
|--|------------|--|--------------|
| <b>For use in countries with 115 VAC</b> | DT-721     | <b>For use in countries with 230 VAC</b> | DT-721-2     |
|  | DT-725     |  | DT-725-2     |
|  | DT-721-KIT |  | DT-721-2-KIT |
|  | DT-725-KIT |  | DT-725-2-KIT |

## CHECK·LINE® – PRECISION QUALITY CONTROL INSTRUMENTS

**Electromatic Equipment Co., Inc.**  
600 Oakland Ave.  
Cedarhurst, N Y 11516 —USA

**Tel:** (800) 645-4330 (USA & Canada)  
**Tel:** (516) 295-4300  
**Fax:** (516) 295-4399

**Email:** info@checkline.com  
**Website:** www.checkline.com

**FOR ADDITIONAL INFORMATION OR TO PLACE AN ORDER CALL TOLL FREE 1-800-645-4330**