



Instruction Manual

**AVT-4000 Series
Audio/Video Distribution Amplifiers**

Table of Contents

1.0	Introduction	2
2.0	Specifications	4
3.0	Checking Package Contents	5
4.0	Connecting the Hardware	5
5.0	Operating The Unit	7
6.0	Troubleshooting	7
7.0	Limited Warranty	7
8.0	Regulatory Compliance	8
9.0	Contact Information	9

1.0 INTRODUCTION

Thanks for purchasing this product from the AV Toolbox Division of TV One. The AVT-4000 Series Audio/Video Distribution Amplifiers allow a user to multiply the video output of a Composite Video or S-Video device and its Stereo Audio signal either four or eight times, allowing the viewing of one signal at up to eight different locations and/or providing a method to send one audio and video output to up to eight different devices such as VCRs. This is but one of our complete range of video and audio products.

1.1 Liability Statement

Every effort has been made to ensure that this product is free of errors. TV One cannot be held liable for the use of this hardware or any direct or indirect consequential damages arising from its use. It is the responsibility of the user of the hardware to check that it is suitable for his/her requirements and that it is installed correctly. All rights reserved. No parts of this manual may be reproduced or transmitted by any form or means electronic or mechanical, including photocopying, recording or by any information storage or retrieval system without the written consent of the publisher.

TV One reserves the right to revise any of its hardware and software following its policy to modify and/or improve its products where necessary or desirable. This statement does not affect the legal rights of the user in any way.

All third party trademarks and copyrights are recognised. The TV One logo, AV Toolbox logo, TV One-task and CORIO are the registered Trademarks of TV One. All other trademarks are the property of their respective holders.

1.2 Features

- Distributes Composite Video or S-Video signals to 4 or 8 devices
- Distribute Stereo Audio signals to 4 or 8 devices
- 10 MHz bandwidth for superior video response
- Video isolation and S/N ratios of more than 50db
- Audio distortion of less than 0.6db
- Uses standard RCA and S-Video connectors for inputs and outputs
- Simple installation and operation

1.3 Getting the Best Results

There are many factors affecting the quality of results when distributing video and audio signals. Some basic precautions will ensure the best possible performance from your AVT-4000 Series Audio/Video Distribution Amplifiers.

- **Output display device_**– The quality of the output signal will depend largely upon the type and quality of the display device used. For instance, some video projectors just look better than others.
- **Distance between the DA, the sources and the display** – This plays a major role in the final result. Long distances are possible, but special measures should be taken in order to avoid cable losses. These include using high quality cables.
- **Input/Output connection cables** – Low quality cables are susceptible to interference. They degrade signal quality due to poor matching and can cause elevated noise levels. Cables should be of the best quality.
- **Interference from nearby electrical devices** – These can have an adverse effect on signal quality. For example, an older computer monitor often emits very high electromagnetic fields that can interfere with the performance of video equipment in its proximity.

2.0 SPECIFICATIONS

Video I/O	
Video Input Connectors	1x RCA (AVT-4714, AVT-4718) 1x S-Video 4-Pin Din (AVT-4814, AVT-4818)
Video Output Connectors	4x RCA (AVT-4714, AVT-4718) 8x S-Video 4-Pin Din (AVT-4814, AVT-4818)
Input Video Signal Types	Composite Video (AVT-47xx) S-Video (AVT-48xx)
Audio I/O	
Audio Input Connectors	2x (R,L) all models
Audio Output Connectors	8x (R,L) AVT-4714, AVT-4814) 8x (R,L) AVT-4718, AVT-4818)
Video Signal Specifications	
Video Input Impedance	75Ω
Video Bandwidth	>10 MHz
Video S/N Ratio	> 50db
Video Distortion	<1.2db
Video Isolation	>50db Channel-Channel
Audio Signal Specifications	
Audio Impedance	40KΩ, Line Level
Audio Distortion	<0.6db
Human Interface	
Device Control	Via front Mounted Power Button
Environmental	
Operating Temperature	0° to +40° C (+32° to +104° F)
Operating Humidity	20% to 90%, Non-condensing
Storage Temperature	-10° to +60° C (+14° to +140° F)
Storage Humidity	20% to 90%, Non-condensing
Warranty	
Limited Warranty	1 Year, Parts and Labor
Regulatory Approvals	
Main Unit	FCC, CE, RoHS
Power Supply	UL, CUL, CE, PSE, GS, RoHS
Power Requirement	
External Power Supply	100~240VAC to 12VDC Adapter
Accessories Included	
1x Power Adapter	US, UK or Euro
1x User Manual	
Model Number	
AVT-4714	1x4 Composite Video A/V Distribution Amp
AVT-4718	1x8 Composite Video A/V Distribution Amp
AVT-4814	1x4 S-Video A/V Distribution Amp
AVT-4818	1x8 S-Video A/V Distribution Amp

3.0 CHECKING PACKAGE CONTENTS

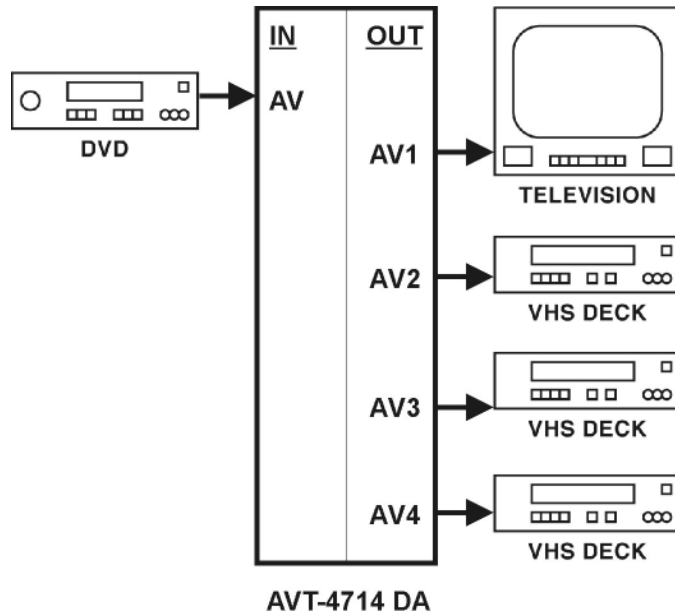
Before attempting to use this unit, please check the packaging and make certain the following items are contained in the shipping carton:

- 1x AVT-4000 Series Audio/Video Distribution Amplifier
- 1x 100~240VAC to 12VDC Power Adapter
- 1x User Manual

Note: Please retain the original packing material should the need ever arise to return the unit. If you find any items are missing, contact your reseller or TV One immediately. Have the Model Number, Serial Number and Invoice available for reference when you call.

4.0 CONNECTING THE HARDWARE

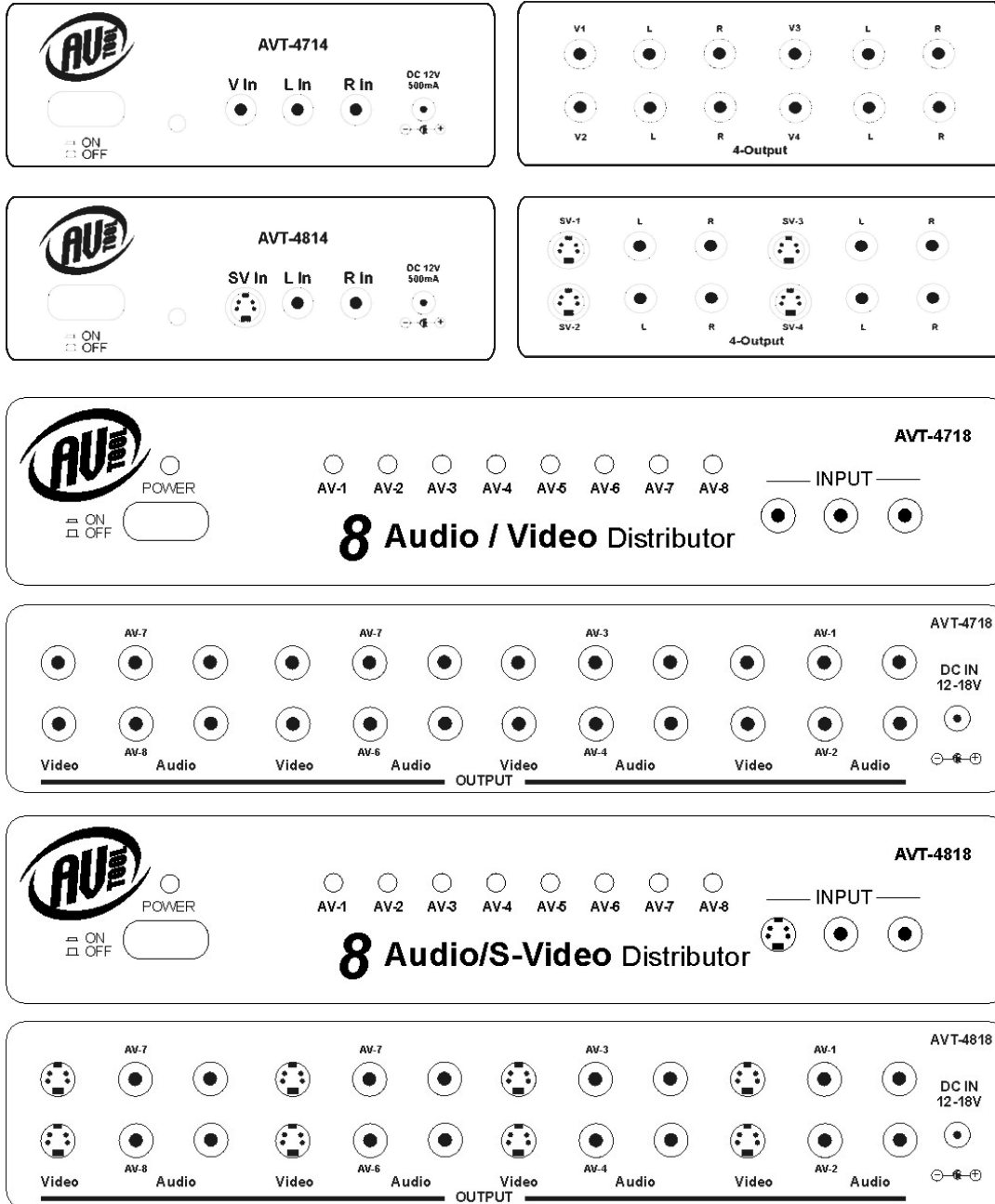
Connect the video source's output to the input of the AVT-4000 Series Audio/Video Distribution Amplifier and then connect the 4 or 8 video outputs to the destination display or recorder device. Next, connect the line level Stereo Audio (R, L) output from the source device to the AVT-4000 series audio input connectors and connect the line level Stereo Audio (R, L) output connectors of the AVT-4000 series product to the destination devices. A sample hook-up diagram is shown below using the AVT-4714 as an example.



Lastly, connect the AC to DC Power Adapter to the AVT-4000 series product.

4.1 Product Drawings

The drawings below show the location of the input, outputs and power connector of each of the respective AVT-4000 Series models. Note that the AVT-47xx series products are used with Composite Video signals and the AVT-48xx series products are used with S-Video signals.



5.0 OPERATING THE AVT-6114

The AVT-4000 Series Audio/Video Distribution Amplifiers require no operator intervention. Simply connect the source and destination devices as shown above, connect the AC Adapter, and press the power button.

6.0 TROUBLESHOOTING

In the event of problems, first make certain make certain that the AVT-4000 Series Audio/Video Distribution Amplifier is receiving power and that the input and output cables are of the highest possible quality. If the signal displayed at the destination location is present, but noisy, a cable(s) is probably defective or the cable run is too long.

If you experience problems using an AVT-4000 series product, you should try attaching the source device directly to each destination device using the same cables you are using with the expanded system. This is a way of determining if the problem is due to bad cables or a problem with the other devices. If you are unable to obtain a signal using this simplified path, suspect the cables, the source device or the destination device(s).

After trying the above suggestions should the problem still persist, contact your dealer for additional suggestions before contacting TV One. Should the dealer's technical personnel be unable to assist you, contact TV One via our support website: <http://tvone.crmdesk.com>. Create a technical support request on the site and our support team will respond within a short period of time.

7.0 LIMITED WARRANTY

LIMITED WARRANTY – With the exceptions noted in the next paragraph, AV Toolbox warrants the original purchaser that the equipment it manufactures or sells will be free from defects in materials and workmanship for a period of one year from the date of purchase. Should this product, in AV Toolbox's opinion, prove defective within this warranty period, AV Toolbox, at its option, will repair or replace this product without charge. Any defective parts replaced become the property of AV Toolbox. This warranty does not apply to those products which have been damaged due to accident, unauthorized alterations, improper repair, modifications, inadequate maintenance and care, or use in any manner for which the product was not originally intended.

Items integrated into AV Toolbox products that are made by other manufacturers, notably computer hard drives and liquid crystal display panels, are limited to the term of the warranty offered by the respective manufacturers. Such specific warranties are available upon request to AV Toolbox. If repairs are necessary under this warranty policy, the original purchaser must obtain a Return Authorization Number from AV Toolbox and return the product to a location

designated by AV Toolbox, freight prepaid. After repairs are complete, the product will be returned, freight prepaid.

LIMITATIONS - All products sold are "as is" and the above Limited Warranty is in lieu of all other warranties for this product, expressed or implied, and is strictly limited to one year from the date of purchase. AV Toolbox assumes no liability to distributors, resellers or end-users or any third parties for any loss of use, revenue or profit.

AV Toolbox makes no other representation of warranty as to fitness for the purpose or merchantability or otherwise in respect of any of the products sold. The liability of AV Toolbox with respect to any defective products will be limited to the repair or replacement of such products. In no event shall AV Toolbox be responsible or liable for any damage arising from the use of such defective products whether such damages be direct, indirect, consequential or otherwise, and whether such damages are incurred by the reseller, end-user or any third party.

8.0 REGULATORY COMPLIANCE

The AVT-4000 has been tested for compliance with appropriate FCC and CE rules and regulations. The Power Adaptor/Supplies have been tested for compliance with appropriate UL, CUL, CE, PSE, GS Rules, Regulations and/or Guidelines. These Products and Power Adapters are RoHS Compliant.

9.0 CONTACT INFORMATION

Should you have questions or require assistance with this product in areas not covered by this manual, please contact TV One at the appropriate location.

AV Toolbox USA
2791 Circleport Drive
Erlanger, KY 41018
USA
Tel 800-235-3280
Tel 859-647-1077
Fax 859-282-8225
sales@avtoobox.com
www.avtoolbox.com

AV Toolbox Europe
Continental Approach
Westwood Industrial Estate
Margate, Kent CT9 4JG, UK
Tel +44 (0)1843 873307
Fax +44 (0)1843 873312
sales.europe@avtoolbox.com
www.avtoolbox.com

AV Toolbox Latin America
6991 NW 82nd Avenue #8
Miami, FL 33166
USA
Tel 305-396-6275
Fax 305-418-9306
sales.latinoamerica@tvone.com
www.tvonela.com

AV Toolbox Mercosur
Av. Diaz Velez 3965 #PB
(1200) Capital Federal
Buenos Aires, Argentina
Tel +54 11 5917-2525
Fax +54 11 4032-0281
sales.mercosur@tvone.com
www.tvonela.com

AV Toolbox Asia
16F-4, No.75, Sec.1
Hsin Tai Wu Rd., Hsichih
Taipei Hsien 22101
Taiwan R.O.C.
Tel +886 2 2698-2296
Fax +886 2 2698-2297
sales.asia@tvone.com
www.tvoneasia.com

AV Toolbox China
Room 1007, Golden Peach Building
No. 1900 Shangcheng Road
Pudong, Shanghai
China 200120
Tel +86 21 5830-2960
Fax +86 21 5851-7949
sales.china@tvone.com
www.tvoneasia.com

End of Manual